

In-Wall Media Dock



The *In-Wall Media Dock* transforms your iPod® into a portable and entertaining multiroom digital media server. The *In-Wall Media Dock* combines the convenience of personal audio and video with the performance, distribution and control capabilities of Savant multiroom A/V systems, delivering audio, and DVD quality video throughout the home.

The *In-Wall Media Dock* allows homeowners, family or friends to share and enjoy music or videos stored on their personal iPod throughout the home, while providing two-way operation of the iPod from Savant's entire line of user interfaces.

Thanks to our iPod interface, consumers can effortlessly enjoy their favorite iPod music from anywhere in their home—with the superior sound and video quality that is the hallmark of every Savant multiroom A/V system.

With limitless flexibility and creativity, Savant empowers you to meet the stringent needs, personal preferences, and demands of your customers and installations.

With Savant Solutions **Now You Can™**...

BENEFITS AND FEATURES

- ▼ Universal Docking Cradle
- ▼ Two-way control including metadata and "now playing"
- ▼ Integrated iPod® Charger
Charges iPod® simultaneously while playing audio or video content
- ▼ Distribution of audio and video signals up to 100 meters over CAT5
- ▼ Fully Scalable and Expandable
Add multiple docks throughout the house, run multiple iPod® players in different rooms
- ▼ Control your iPod® portable media player from any Savant User Interface, anywhere in the house
- ▼ Personal Party Media Server
Family and friends can easily connect and share their favorite iPod® media throughout the home
- ▼ Made for iPod Compliance
- ▼ Paired with Savant User Interfaces
- ▼ Simple installation over common CAT5
- ▼ Readily placed in strategic locations
- ▼ Configured and customized using RacePoint Blueprint™

In-Wall Media Docks are designed to be installed into walls and permanently affixed. They simply connect to paired *Media Dock Receivers* via CAT5 cables providing extended audio and video distribution, and two-way control from a docked iPod to any Savant multiroom A/V system. Two-way functionality facilitated by the Savant architecture and delivered by the docking station allows the iPod to send operational information to any *Savant User Interface*—controlling the iPod anywhere within the household. All menu information from the iPod, such as artist, album, playlist, genre, track information and more is elegantly displayed on *Savant User Interfaces*. The iPod music playback functions such as start, stop, pause and next track/previous track control are also accessible via Savant’s broad line of user interfaces.

In addition, the iPod is also powered from the docking station, with no batteries or local external power adapter required. The *In-Wall Media Dock’s* compact size and elegant design allows it to be conveniently and strategically placed, providing users with ready access when wishing to use their iPod on the go, or using it for home listening and entertaining.

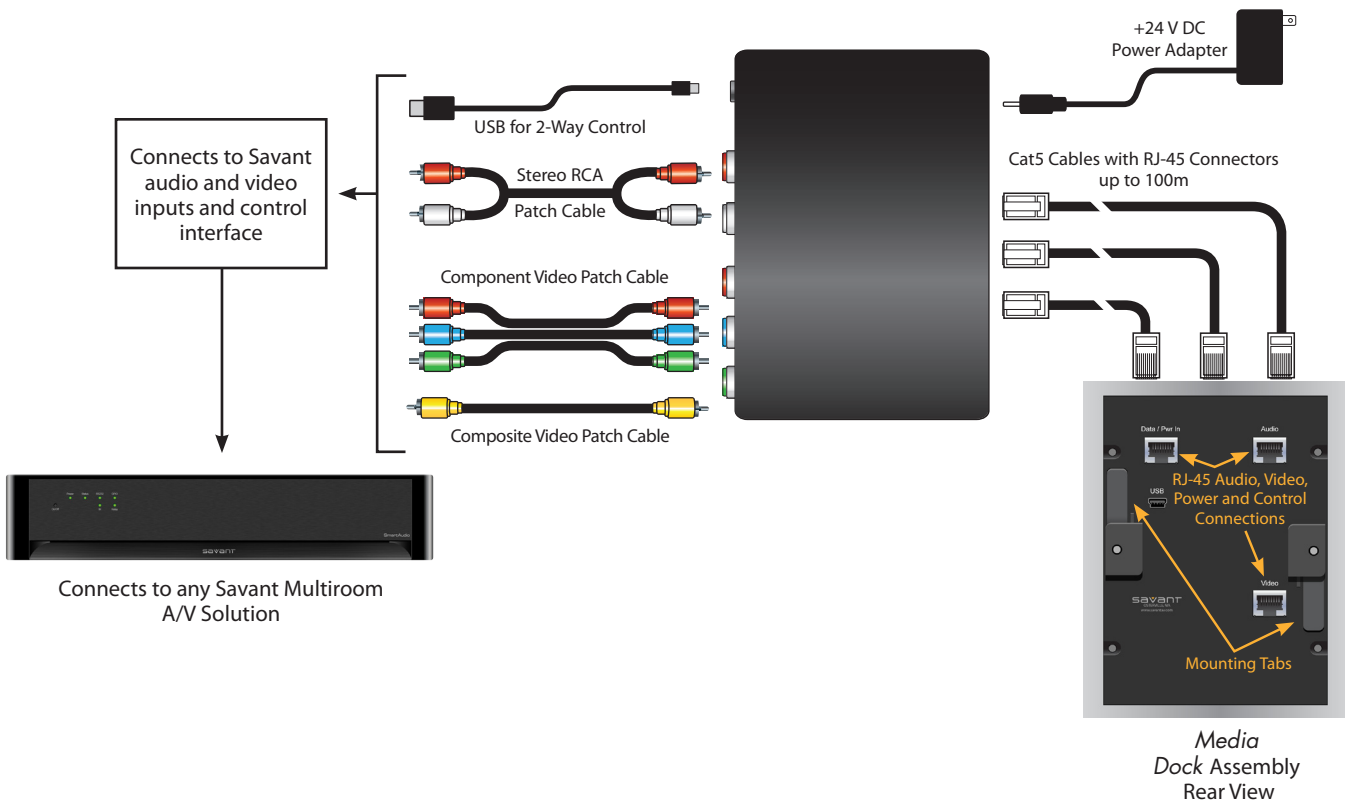
Media Dock Receiver

Within the Savant architecture, the *Media Dock Receiver* provides the necessary source connections at the Savant system controller. It connects to the *Media Dock* via three CAT5 cables (see Figure below).



Media Dock Receiver - Rear View

Typical Connection and Wiring Diagram



TECHNICAL SPECIFICATIONS

Model Number	<p>IDS-110W (<i>In-Wall Media Dock Assembly Kit, White</i>) Includes the <i>In-Wall Media Dock</i> assembly, (1) <i>Media Dock Receiver</i> (Model Number MDR-1000) with 24 V DC power supply, (1) 2m Type B mini to Type A standard USB connection cable</p> <p>IDS-110B (<i>In-Wall Media Dock Assembly Kit, Black</i>) Includes the same kit with removable black wall plate</p>
Power Requirement	24 V DC, distributed over CAT5 supplied from the <i>Media Dock Receiver</i>
Dimensions & Weight	<p><i>In-Wall Media Dock Assembly</i> (H x W x D) in inches 6.5 x 5.2 x 2.7 Cut out dimensions for installation (H x W) in inches: 5.9 x 4.6 Weight: Approx. 1.5 1b (0.68 Kgs)</p> <p><i>Media Dock Receiver</i> (H x W x D) in inches 1.25 x 4.4 x 6.25 Weight: Approx. 0.5 1bs (0.26 Kgs)</p>
Connectors & Wiring	<p><i>In-Wall Media Dock Assembly</i> (3) RJ-45 Jacks, (1) 30 Pin iPod Connector (3) CAT5 cables: Two for A/V distribution, and the third for power and two-way control</p> <p><i>Media Dock Receiver</i> Front Side (3) RJ-45 Jacks, Receiving end (3) CAT5e cables: Two for A/V distribution, and the third for power and two-way control (1) Barrel connector for 24V DC power supply Rear Side (2) Left and right audio RCA jacks (1) Component video RCA jack, also supports Composite video (Blue RCA Jack) (1) USB Type B mini jack</p>
General	<p>Audio Format: Transmits balanced line-level audio Video Format: Transmits NTSC video from iPod / iPhone</p>
Wall Plates	<p>Snap-On Wall Plate, included in white or black Wall Plate (H x W x D) in inches 6.5 x 5.2 x 0.70</p>
Mounting Options	The <i>In-Wall Media Dock Assembly</i> has angled screw mounting holes on both sides for optional stud mounting. The assembly also has two rotating mounting tabs that hold the <i>In-Wall Media Dock Assembly</i> firmly on the mounting surface.
Compliance	<p>Safety and Emissions • CSA NRTL/C and FCC Part 15 Class B RoHS Compliant Made for iPod®</p>
Design Tool	RacePoint Blueprint™ is an advanced, intelligent and easy to use graphical user interface (GUI) tool for configuring, programming, and customizing Savant systems—without the need for low-level programming.



SAVANT® and RacePoint Blueprint™ are registered trademarks of Savant Systems, LLC.

Apple®, iPhone®, iPod®, and iPod touch® are registered trademarks or trade names of Apple Inc.

Savant Systems' technology and designs are protected by patents issued in the U.S. and other countries and pending U.S. and foreign patent applications. Savant Systems LLC reserves the right to change product specifications without notice.

Doc. No. 009-0061-02

savant
NOW YOU CAN™

770 Main St., Osterville, MA. 02655

P. 508.683.2500 F. 508.683.2600

www.savantav.com